

The LPBJ Series is a ceramic filter for AM use.

## FEATURES

- AM use
- IF filter
- 2 elements

## OPERATING CONDITIONS/ELECTRICAL CHARACTERISTICS

PART NUMBER	CENTER FREQUENCY (fo)	3dB BANDWIDTH	SELECTIVITY (±9 KHZ OFF)	INSERTION LOSS
LPB 450J	450 ±2.0 KHz	5.5 ±1.5 KHz	17 dB Min. (23)	6 dB Max. (3)

1. Center frequency is available in a range from 450 to 470 KHz.
  2. Center frequency shall be defined as the central value of the band at 3dB.
  3. Temperature coefficient of center frequency is based on the center frequency @ 25°C.
- ( ) = Typical values

## PACKAGE DIMENSIONS (mm)

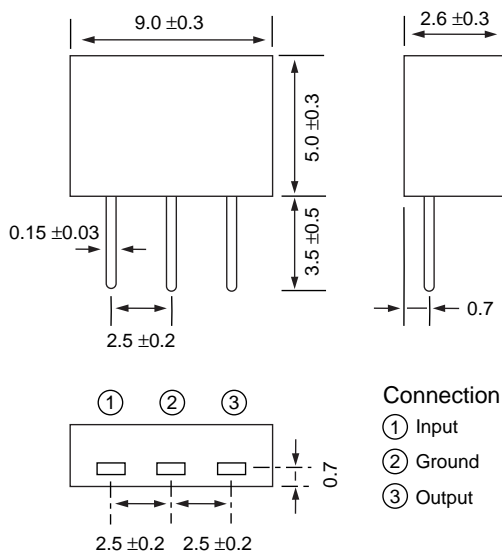


Figure 1) LPBJ Series - Front, Side and Bottom views

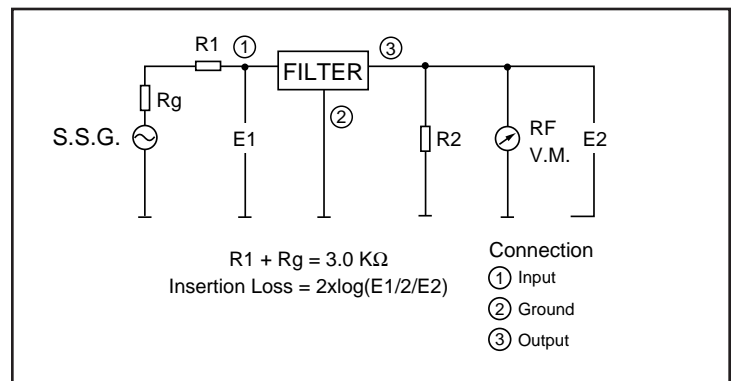


Figure 2) Measuring Circuit

ITEM \ TYPE	7 x 7 mm IFT			5 x 5 mm IFT		
WINDING SPECIFICATIONS	①—②	②—③	④—⑥	①—②	②—③	④—⑥
Bottom view	85 T	67 T	23 T	84 T	98 T	33 T
UNLOADED Qu	90			65		
TUNING CAPACITY	180pF			180pF		

Figure 3) LPBJ - Recommended IFT Specification