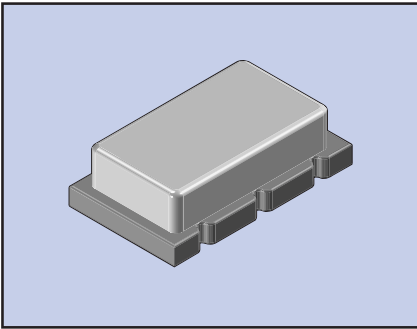


# ECS-SR-A SERIES SMD CERAMIC RESONATOR



The ECS-SR-A Series SMD ceramic resonator is an excellent low cost frequency control solution when absolute frequency accuracy is not important.

## FEATURES

- Low profile SMD package
- Wide frequency range
- Tape & Reel packaging

## PART NUMBERING GUIDE "EXAMPLE"

MANUFACTURER	PACKAGE TYPE	FREQUENCY	VERSION	TAPE AND REEL PACKAGING
ECS	SR1	4.00	A	TR

Sample Part Number: ECS-SR1-4.00-A-TR, Tape & Reel Packaging

## OPERATING CONDITIONS/ELECTRICAL CHARACTERISTICS

PART NUMBER *	FREQUENCY RANGE (MHz)	FREQUENCY ACCURACY @ 25°C (%)	FREQUENCY STABILITY -20° ~ 80° C (%)	AGING FOR TEN YEARS (%)	RESONANT RESISTANCE (Ω) MAX.	INSULATION RESISTANCE @ 10 VDC
ECS-SR1-□-□□-B	2.00 ~ 8.0	±0.5	±0.3	±0.3	40	100 M Ω Min.
ECS-SR2-□-□□-B	8.01 ~ 13.00	±0.5	±0.3	±0.3	30	100 M Ω Min.
ECS-SR3-□-□□-B	13.1 ~ 20.00	±0.5	±0.3	±0.3	30	100 M Ω Min.
ECS-SR4-□-□□-B	20.1 ~ 30.00	±0.5	±0.3	±0.3	55	100 M Ω Min.

Complete part number to include frequency i.e. ECS-SR1-4.00-A-TR

## PACKAGE DIMENSIONS (mm)

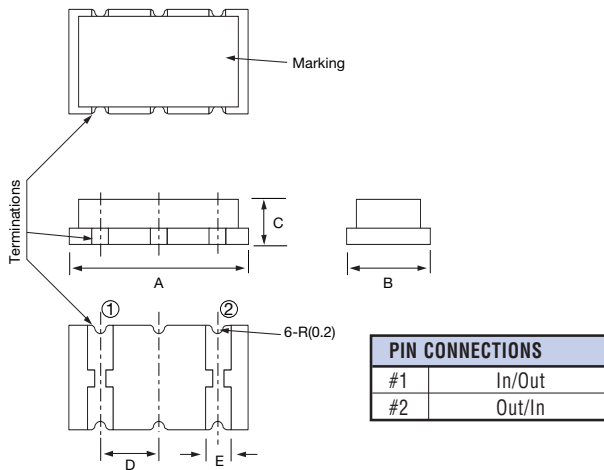


Figure 1) ECS-SR-A Series - Top, Side, Bottom & End views

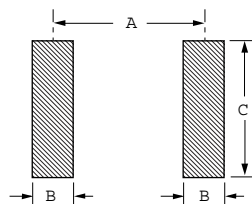


Figure 2) Land Pattern

PACKAGE TYPE	DIMENSIONS (mm)				
	A	B	C	D	E
ECS-SR1	7.5	3.3	1.8	2.5	1.5
ECS-SR2	8.3	3.5	1.8	2.5	1.0
ECS-SR3	6.0	3.5	1.8	1.9	1.2
ECS-SR4	6.0	5.0	1.8	1.9	1.2

PACKAGE TYPE	DIMENSIONS (mm)		
	A	B	C
ECS-SR1	5.0	1.7	4.0
ECS-SR2	5.0	1.2	4.7
ECS-SR3	3.8	1.2	4.2
ECS-SR4	3.8	1.2	5.5